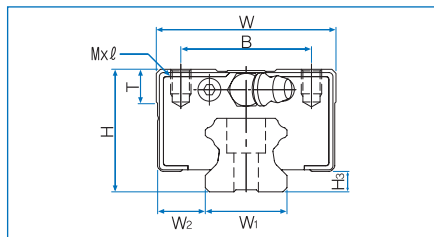
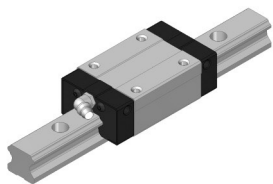
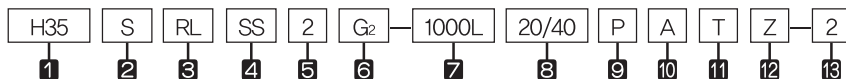


## H-SR Series, H-SRL Series

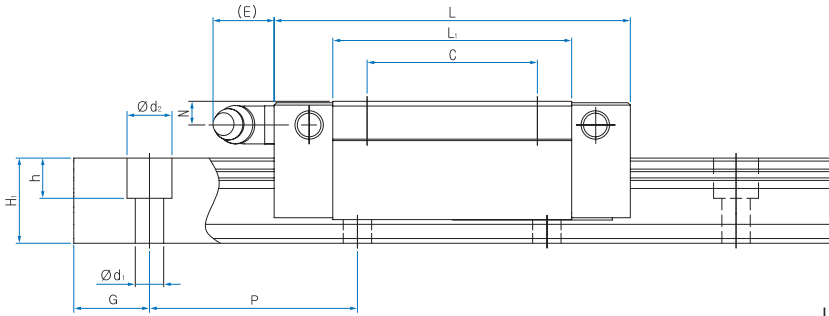


Model No.	External dimensions			Dimensions of block								H <sub>3</sub>
	Height H	Width W	Length L	B	C	M X ℓ	L <sub>1</sub>	T	N	E	Grease nipple	
H 15SR	28	34	57	26	26	M4 x 5	40.7	6	10	6	A-M4	4.5
H 15SRL	28	34	65.3	26	26	M4 x 5	49.1	6	10	6	A-M4	4.5
H 20SR	30	44	72.7	32	36	M5 x 6	53.1	8	7.5	12	B-M6F	6
H 20SRL	30	44	88.6	32	50	M5 x 6	69	8	7.5	12	B-M6F	6
H 25SR	40	48	83	35	35	M6 x 8	58.3	8	13	12	B-M6F	7
H 25SRL	40	48	102.9	35	50	M6 x 8	78.2	8	13	12	B-M6F	7
H 30SR	45	60	97.8	40	40	M8 x 10	70.8	8	10.3	12	B-M6F	7.5
H 30SRL	45	60	120	40	60	M8 x 10	93	8	10.3	12	B-M6F	7.5
H 35SR	55	70	110	50	50	M8 x 12	80.8	10	15	12	B-M6F	9
H 35SRL	55	70	135.4	50	72	M8 x 12	106.2	10	15	12	B-M6F	9
H 45SR	70	86	138.5	60	60	M10 x 17	106	15	20.5	13	B-PT1/8	10
H 45SRL	70	86	170.2	60	80	M10 x 17	137.8	15	20.5	13	B-PT1/8	10
H 55SR	80	100	171	75	75	M12 x 18	132.6	20	21	13	B-PT1/8	13
H 55SRL	80	100	210.6	75	95	M12 x 18	172.2	20	21	13	B-PT1/8	13

## Composition of Model No.



- 1 Model No. of Linear Motion Guide
  - 2 Type of block : No symbol-Full-ball type / S-Spacer Chain type
  - 3 Form of block : R-Rectangular standard type / RL-Rectangular long type / F-Flange standard type / FL-Flange long type
  - 4 Type of seal : UU-End seal / SS-End seal + Inside seal / ZZ-End seal + Inside seal + Metal scraper  
UULF-End seal + LF seal / SSLF- End seal + Inside seal + LF seal / ZZLF - End seal + Inside seal + Metal scraper + LF seal (\*1)
  - 5 Number of blocks combined in 1 rail
  - 6 Symbol of clearance : No symbol-Normal preload / G<sub>1</sub>-Light preload / G<sub>2</sub>-Heavy preload / G<sub>s</sub>-Special preload (\*2)
  - 7 Length of rail
  - 8 Size of G value : standard G value has no symbol.
  - 9 Symbol of precision : No symbol-Moderate precision / H-High precision / P-Precision / SP-Super Precision / UP-Ultra Precision (\*3)
  - 10 No symbol-Rail counter bore type (A topside assembly) / A- Rail tap hole type (an underside assembly) (\*4)
  - 11 Connection symbol
  - 12 Special symbol
  - 13 Number of axis used on the same surface
- (\*1) See P99 Symbol List of Optional Parts (\*2) See P17 Radial Clearance  
(\*3) See P24 Selection of Precision Class (\*4) See P49 Standard tap hole type of a rail



Unit : mm

Dimensions of Rail						Basic load rating		Static allowance moment kN · m					Mass	
Width $W_1$ $\pm 0.05$	$W_2$	Heigh $H_1$	Value $G$	Pitch $P$	$d_1 \times d_2 \times h$	$C$ kN	$C_0$ kN	$M_p$		$M_y$		$M_r$	Block kg	Rail kg/m
								1	2(Contact)	1	2(Contact)	1		
15	9.5	13	20	60	4.5X7.5X5.3	12.1	16.2	0.115	0.552	0.115	0.552	0.129	0.18	1.3
15	9.5	13	20	60	4.5X7.5X5.3	13.7	19.3	0.165	0.769	0.165	0.769	0.154	0.23	1.3
20	12	16.5	20	60	6X9.5X8.5	17.6	23.9	0.221	1.049	0.221	1.049	0.251	0.31	2.2
20	12	16.5	20	60	6X9.5X8.5	21.1	30.7	0.370	1.692	0.370	1.692	0.322	0.41	2.2
23	12.5	20	20	60	7X11X9	25.8	33.1	0.337	1.636	0.337	1.636	0.398	0.53	3.0
23	12.5	20	20	60	7X11X9	31.7	43.6	0.596	2.760	0.596	2.760	0.525	0.71	3.0
28	16	26	20	80	9x14x12	48	57.1	0.711	3.384	0.711	3.384	0.828	0.9	4.85
28	16	26	20	80	9x14x12	58	73.6	1.203	5.506	1.203	5.506	1.067	1.1	4.85
34	18	29	20	80	9x14x12	63.7	74.6	1.062	5.012	1.062	5.012	1.298	1.5	6.58
34	18	29	20	80	9x14x12	77.1	96.2	1.797	8.172	1.797	8.172	1.674	2.01	6.58
45	20.5	32	22.5	105	14x20x17	82.9	95.5	1.789	8.251	1.789	8.251	1.992	3.20	9.75
45	20.5	32	22.5	105	14x20x17	99.7	122.5	2.984	13.341	2.984	13.341	2.556	4.10	9.75
53	23.5	38	30	120	16x23x20	133.5	149.2	3.495	16.007	3.495	16.007	3.608	5.16	13.75
53	23.5	38	30	120	16x23x20	160.4	191.4	5.826	25.899	5.826	25.899	4.627	6.61	13.75

1N=0.102kgf

